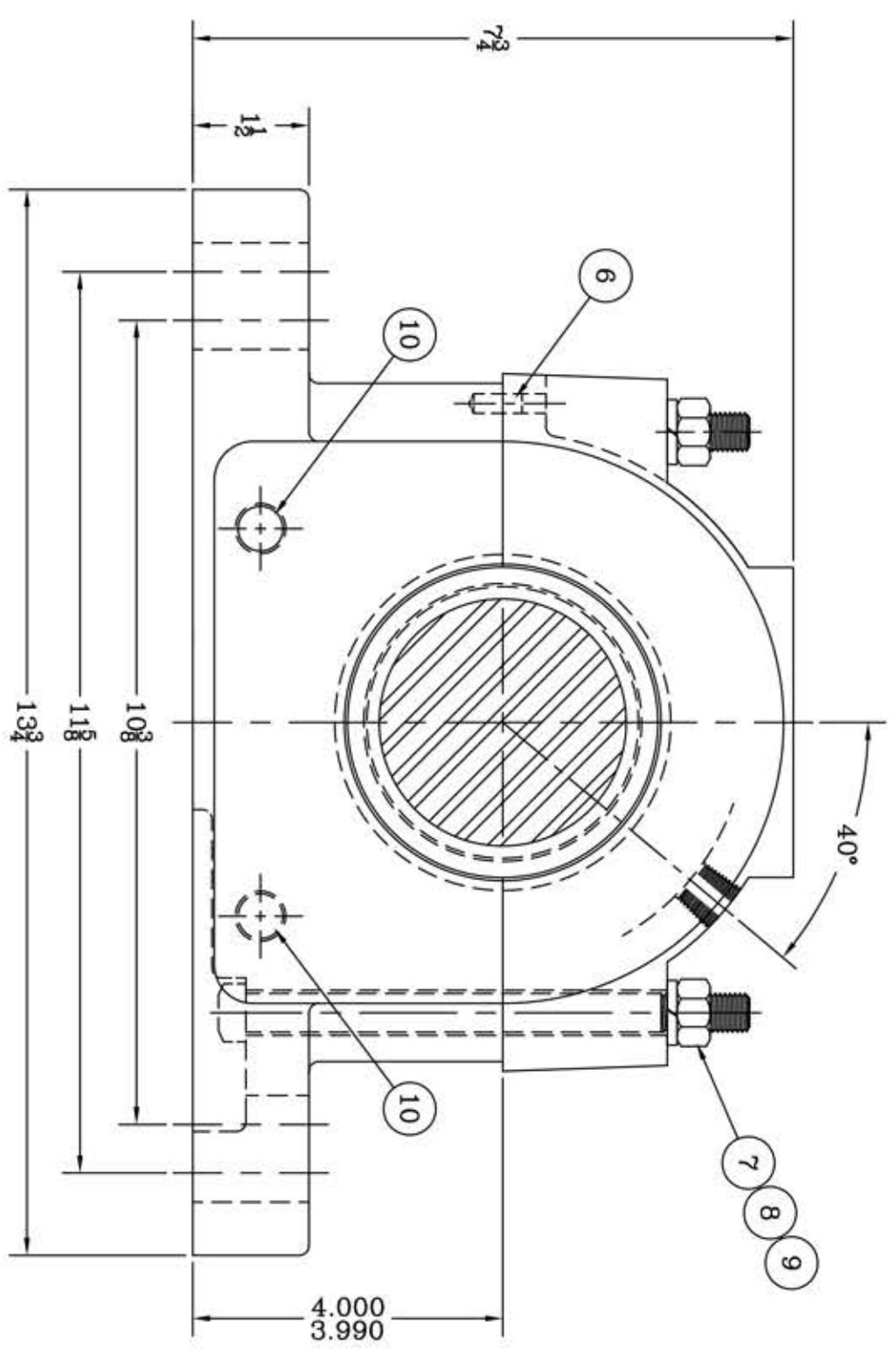
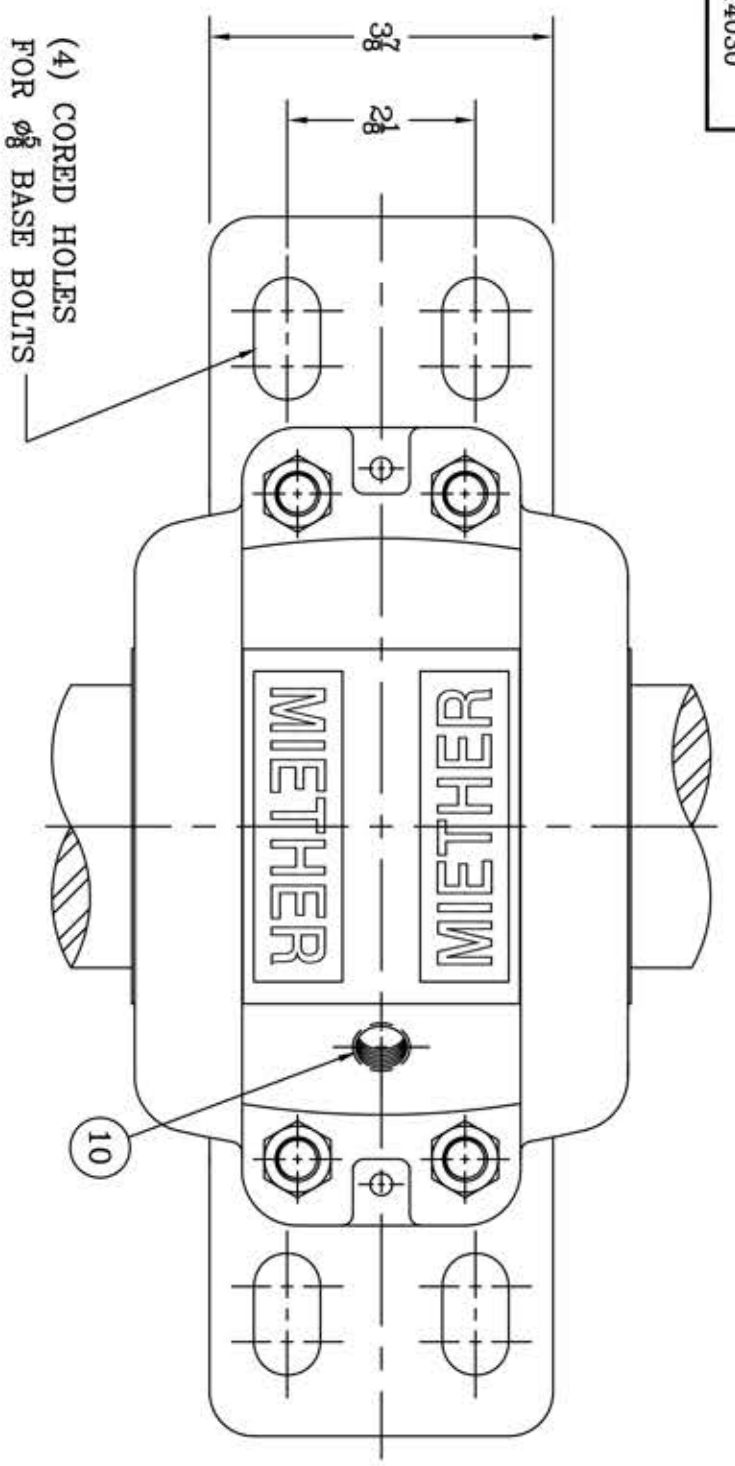
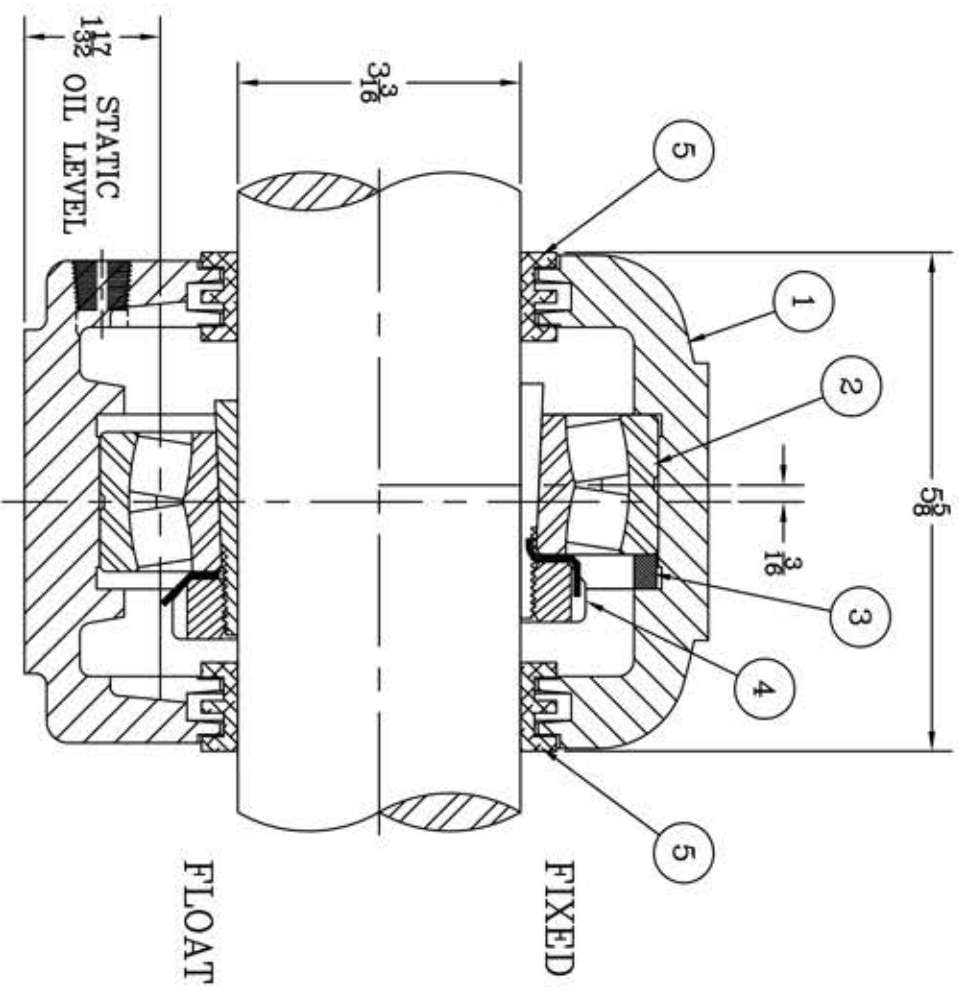


This drawing is the sole property of Miether Bearing Products and contains confidential and proprietary information. It is being provided to you for your use and may not be disclosed to any third party or used for any other purpose without Miether's prior written consent. The [materials] must be returned to the Company upon its demand. Your acceptance of these materials constitutes your acceptance of the foregoing terms.

C-14030



ITEM	DESCRIPTION	DETAIL	REQUIRED
1	HOUSING FSAF 518	C-13152-R	1 1
2	SPHERICAL ROLLER BEARING	22218K/W-33	1 1
3	STABILIZING RING SR-18-15	A-10601	1 0
4	ADAPTER SNW-18 03-03	B-24413	1 1
5	TRIPLE SEAL RING LER-188	A-11797	2 2
6	DOWEL	Ø1/4 x 3/8 LONG	2 2
7	CAP BOLT SQUARE HEAD	1/2-13 NC x 6 1/2" LONG	4 4
8	CAP BOLT HEX. NUT	1/2-13 NC	4 4
9	LOCKWASHER	1/2 SPLIT MED.	4 4
10	PIPE PLUG	3/8-18 NPT	3 3



REDRAWN FOR CONFORMITY
RWB per KAB
1-20-04

REVISIONS

SYMBOL	DESCRIPTION
C	CHANGES
D	DELETED
E	ENHANCED
F	FINISHES
G	GEOMETRIC
J	JUDICIAL
K	KEYWAYS

AN ALCO INDUSTRIES COMPANY
ODESSA, TX USA

FSAF 22518 03-03	ASSEMBLY DRAWING
SCALE 1 = 1.5	ASSEMBLY NO.
DATE 1/16/70	DRAWING NO.
CHK:	C-14030